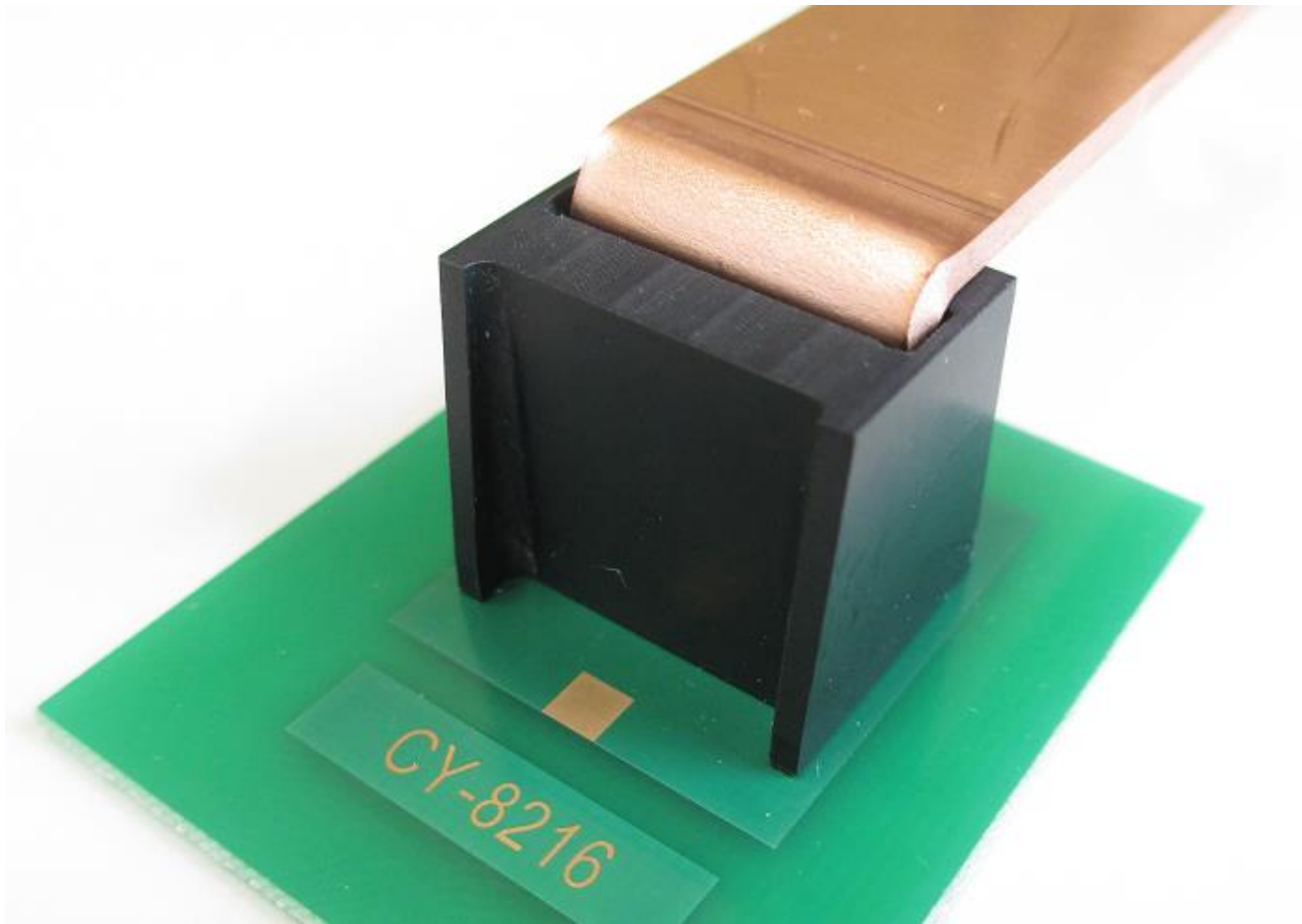


Product under development

Busbar connection terminal for **SMT**

100A high current

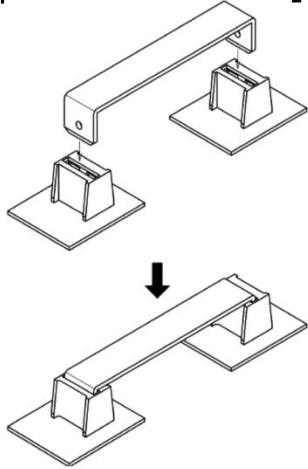
One-touch construction with no screw connection



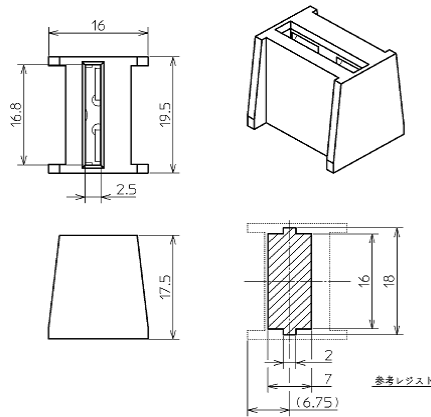
Busbar connection terminal for **SMT**

Purpose of use Electrical connection between board-to-board and within board using bus bars

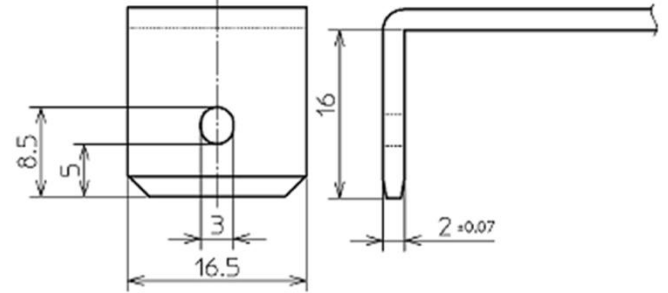
【Example of busbar connection】



【Dimensions】



【Busbar mating part Dimension】



Busbar material : Coper , Surface Treatment : None.
Dimensional tolerance without indication is ± 0.1 .

※ For shapes other than the mating part, please make settings according to the energizing current.

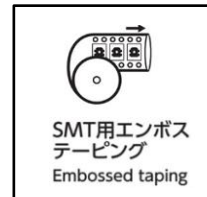
Product Specifications

Product name	Busbar connection terminal
Rated current (max)	100 [A]
Temperature rise	45 [K] or less
Material	Brass + Resin
Surface Treatment	Tin plating
Mounting Method	Surface Mount
Delivery form	SMT Embossed Carrier Tape

Product Summary

- 100A high current
- One-touch construction with no screw connection improves workability
- Surface mount products : can be mounted using the same process as general electronic components.

Product Features



※Please contact us if you have any questions or concerns about our products.