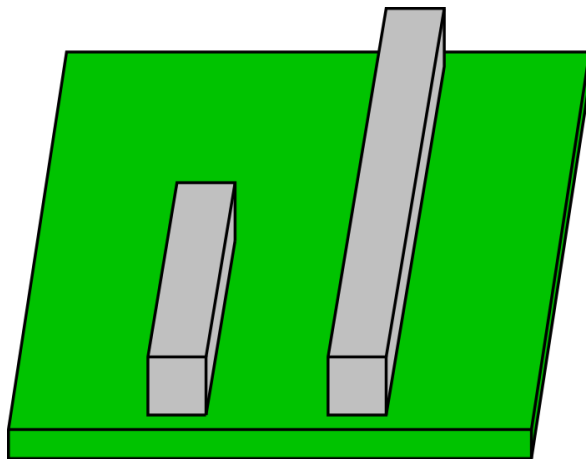


High current on PCB without the need for pattern widening, a heavy copper PCB or a multi-layered PCB.

■ Series of 6 different sizes to match the rated current

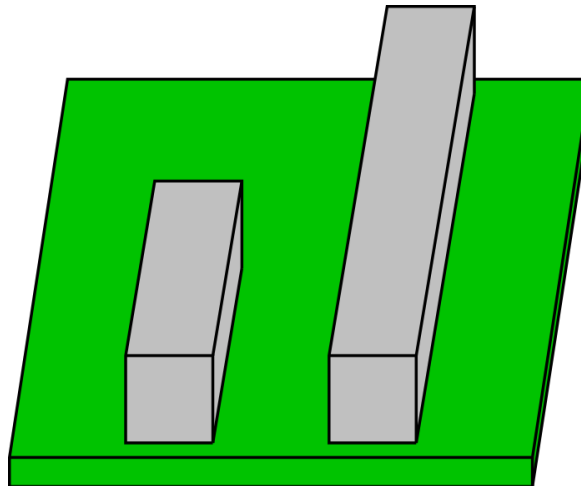
\* Rated current (maximum) is a reference value

【 60 A 】



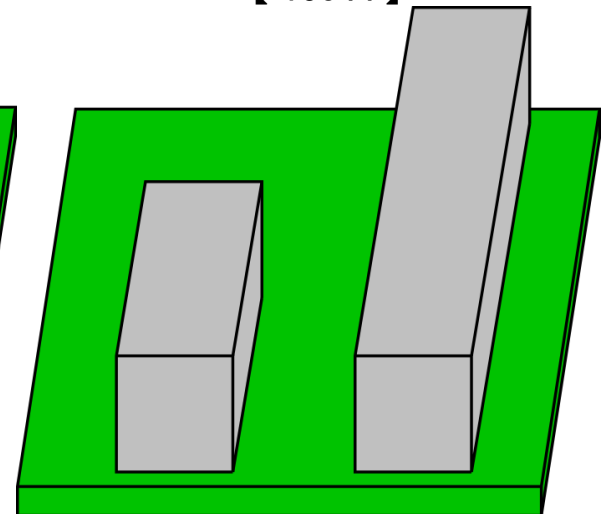
- 1.5 × 20 mm
- 1.5 × 30 mm

【 100 A 】



- 2.0 × 20 mm
- 2.0 × 30 mm

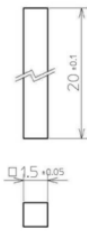
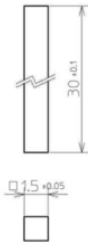




【 150 A 】



- 2.5 × 20 mm
- 2.5 × 30 mm

# SMD Busbar

## Product Specifications

Product number	SD02112-2K	SD02113-2K	SD02114-2K	SD02115-2K	SD02116-2K	SD02117-2K
Dimensions						
	□ 1.5 × 20	□ 1.5 × 30	□ 2.0 × 20	□ 2.0 × 30	□ 2.5 × 20	□ 2.5 × 30
Rated current (maximum)*	60A	60A	100A	100A	150A	150A
Material	Tough-Pitch Copper					
Surface Treatment	Tin plating					
Mounting Method	Surface Mount					
Delivery form	Embossed carrier tape					

\* reference value

## Product Features



※Please contact us if you have any questions or concerns about our products.