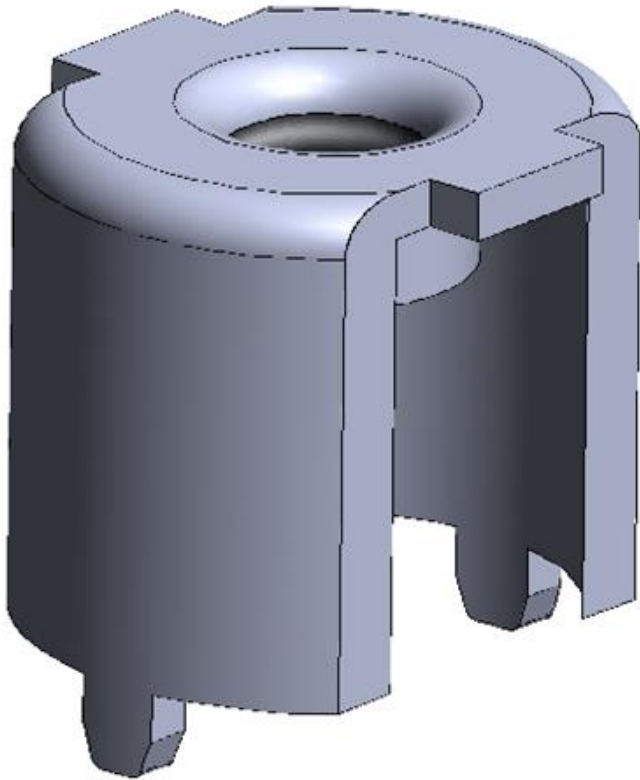
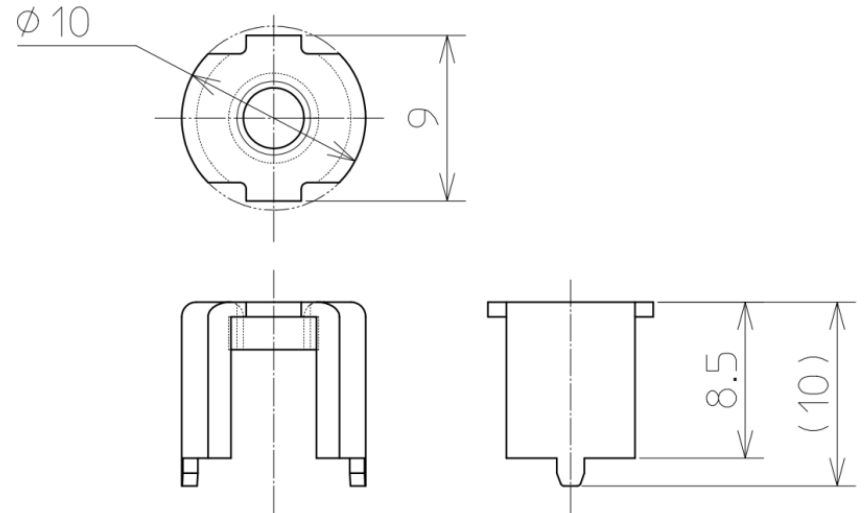


Increased rigidity and space saving

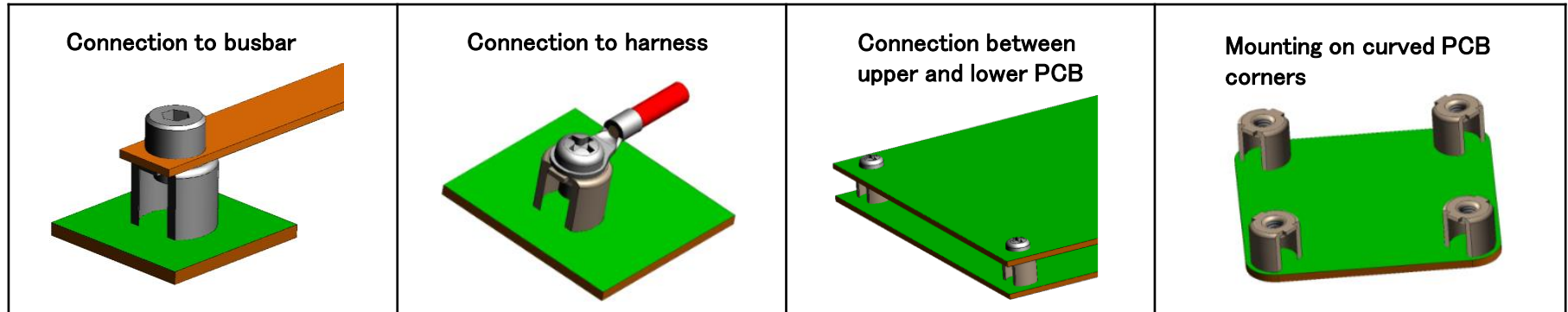


【 Dimensions (UNIT: mm) 】



Space saving screw terminal for SMT

Purpose of use

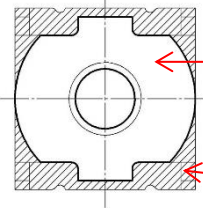


Product Specifications

Product name	Space saving screw terminal
Rated current(max)	40 [A]
Applicable screw	M4
Material	Brass
Surface Treatment	Tin plating
Height Production Range	8.5 mm
Mounting Method	Surface Mount
Delivery form	SMT Embossed Carrier Tape

Product Summary

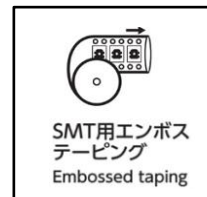
Increased rigidity and space saving compared to our conventional screw terminals by making the bending part R-shaped



Space saving screw terminal
(Realizing approx.30% reduction in mounting area compared with conventional screw terminals.)

Conventional screw terminal (shaded area)

Product Features



※Please contact us if you have any questions or concerns about our products.